

VL2 vertical multi-stage pumps

Robust vertical multi-stage pumps in stainless steel, distinguished by their high efficiency and particularly quiet operation.



RANGE OF PERFORMANCE

Flow rate up to 80 l/min (4.8 m³/h)
Head up to 105 m

LIMITS OF USE

Manometric suction lift up to 7 m
Liquid temperature up to + 40°C

CONSTRUCTION AND SAFETY STANDARDS

EN 60 335-1
IEC 335-1
CEI 61-150

EN 60034-1
IEC 34-1
CEI 2-3



INSTALLATION AND USE

They are recommended for pumping clean water and liquids that are chemically non aggressive to the materials from which the pump is made. **THEIR RELIABILITY AND QUIET RUNNING MAKE THEM SUITABLE FOR DOMESTIC AND CIVIL APPLICATIONS, BECAUSE THE PUMP IS FULLY SUBMERSIBLE WITH THE MOTOR COOLED BY THE PUMPED LIQUID, IT CAN BE USED SAFELY IN WET ENVIRONMENTS AND IN SPACES WITH INSUFFICIENT VENTILATION.**

GUARANTEE 2 YEARS subject to our general terms of sale.

CONSTRUCTION CHARACTERISTICS

- **OUTER CASE AND MOTOR SUPPORT:** stainless steel AISI 304 case with threaded ports ISO 228-1.
- **IMPELLERS AND DIFFUSERS:** technopolymer.
- **DIAPHRAGMS:** stainless steel AISI 304, complete with anti-wear rings.
- **MOTOR SHAFT:** stainless steel EN 10088-3 - 1.4104.
- **DOUBLE SEAL:** mechanical seal silicon carbide-NBR, with oil barrier chamber and inner lip seal to protect the seal in the event of dry running.
- **SCREWS:** stainless steel AISI 304.
- **MOTOR:** electric, asynchronous for continuous duty.
VLm 2: single-phase 220÷240 V - 50 Hz with thermal overload protector built into windings below 1.5 kW. The 1.8 kW motor has an external (with manual reset) incorporated into the control box.
VL 2: three-phase 380÷415 V - 50 Hz.
- **INSULATION:** class F. ● **PROTECTION:** IP 68.

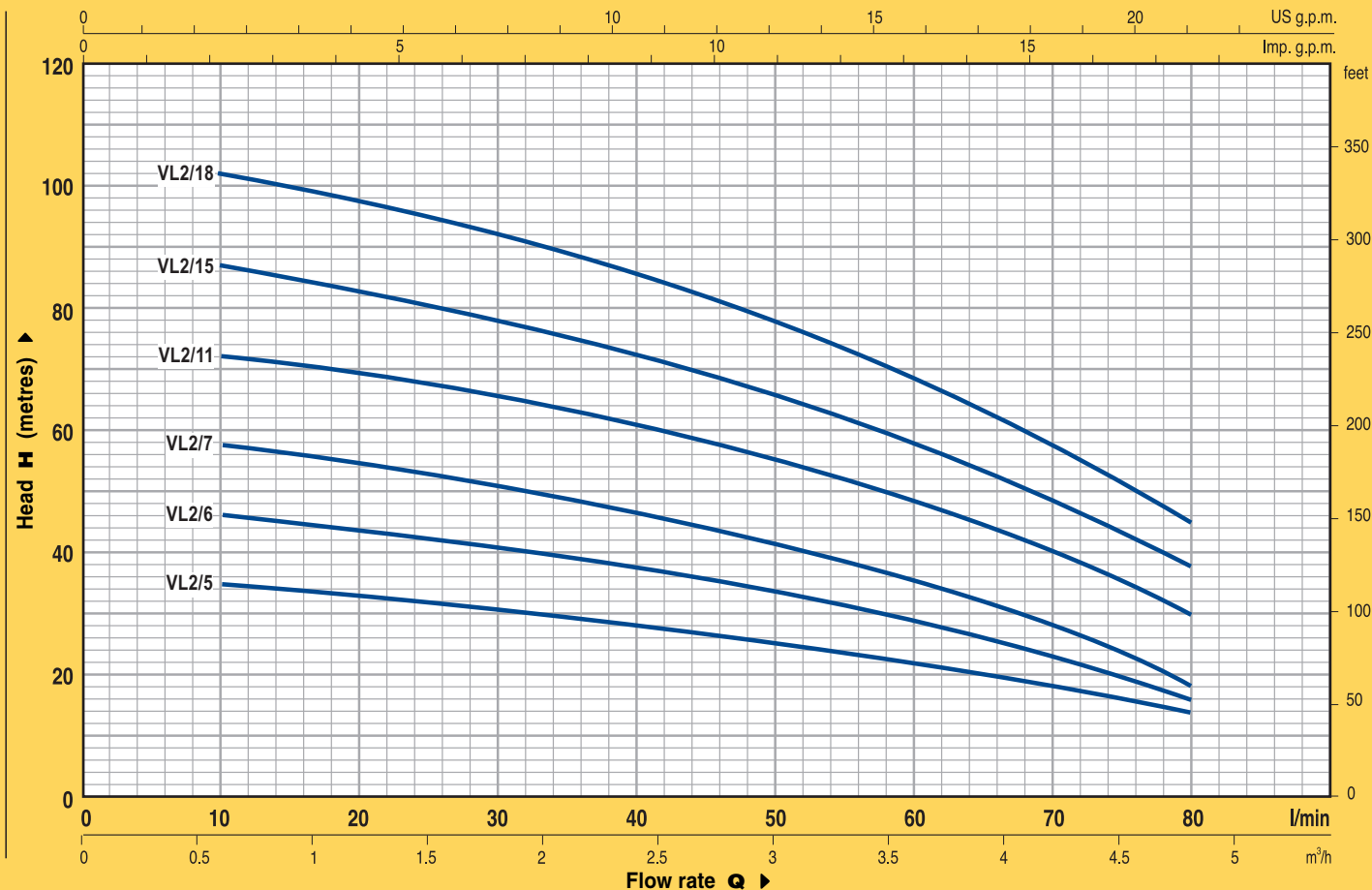
STANDARD FEATURES:

- VLm 2** (single-phase) 2 m power cable type "H07 RN-F" with removable connector. Control box with capacitor and Schuko plug
- VL 2** (three-phase) 2 m power cable type "H07 RN-F" with removable connector.

OPTIONS ON REQUEST

⇒ other voltages or frequency 60 Hz

CURVES AND PERFORMANCE DATA AT n= 2900 1/min

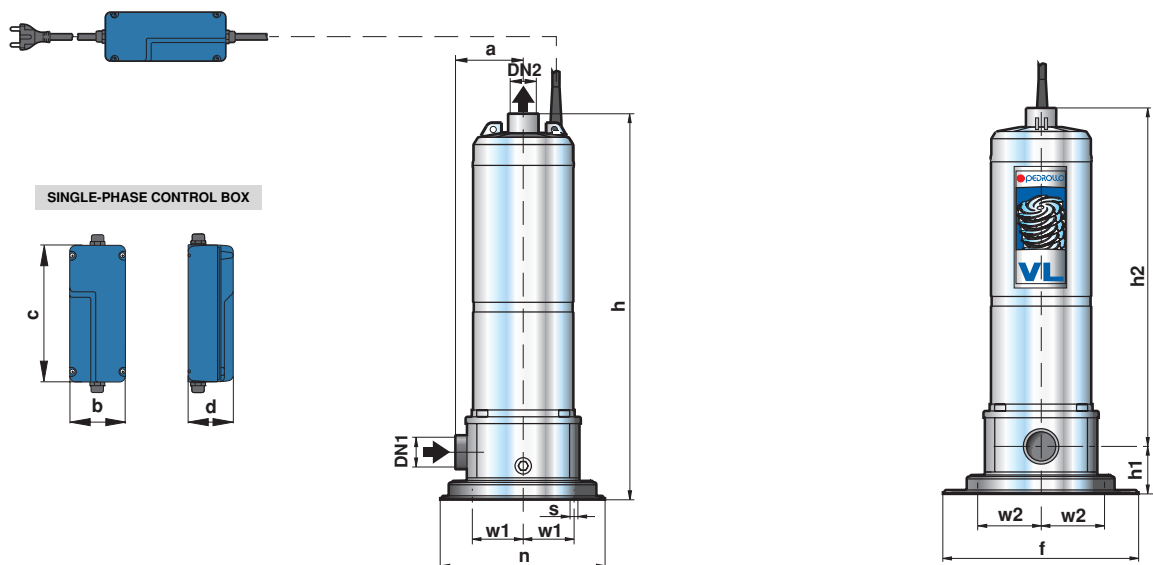


TYPE		POWER		Q	Flow rate														
Single-phase	Three-phase	kW	HP		m³/h	0	0.6	1.2	1.8	2.4	2.7	3.0	3.3	3.6	3.9	4.2	4.5	4.8	
VLm 2/5	—	0.45	0.6	l/min	0	10	20	30	40	45	50	55	60	65	70	75	80		
VLm 2/6	—	0.55	0.75	H metres	36	35	33	31	28	26	25	23	22	20	18	16	14		
VLm 2/7	VL 2/7	0.75	1		48	46	44	41	37.5	35	34	31	29	26	23	19.5	16		
VLm 2/11	VL 2/11	1.1	1.5		60	58	55	51	47	44	42	38	36	32	28	23	18		
VLm 2/15	VL 2/15	1.5	2		75	72	70	66	61	58	55	52	48	44	40	35	30		
VLm 2/18	VL 2/18	1.8	2.5		90	87	83	78	73	70	66	62	58	53	48	44	38		
					105	102	98	92	85	82	78	73	68	63	57	50	45		

Q = Flow rate H = Total manometric head

Tolerance of the performance curves according to EN ISO 9906 App. A.

DIMENSIONS AND WEIGHTS



TYPE		PORTS		N° stages	DIMENSIONS mm											kg	
Single-phase	Three-phase	DN1	DN2		a	b	c	d	f	h	h1	h2	n	w1	w2	s	1~
VLm 2/5	—	1 1/4"	1 1/4"	3	81	200	66	223	432	50	382	183	62	88.5	11	10.9	-
VLm 2/6	—			4					506		456					13.0	-
VLm 2/7	VL 2/7			5					530		480					16.3	14.8
VLm 2/11	VL 2/11	1 1/2"	1 1/4"	6	100				603	60	543					24.1	22.4
VLm 2/15	VL 2/15			7					633		573					25.0	23.4
VLm 2/18	VL 2/18								708		648					30.8	26.7