

**New self-priming pumps,
quiet running, reliable,
high efficiency, patented.**



RANGE OF PERFORMANCE

Flow rate up to 200 l/min (12 m³/h)
Head up to 120 m

LIMITS OF USE

Manometric suction lift up to 9 m
Liquid temperature up to + 40°C
Environment temperature up to + 40°C

CONSTRUCTION AND SAFETY STANDARDS

| | |
|-------------|------------|
| EN 60 335-1 | EN 60034-1 |
| IEC 335-1 | IEC 34-1 |
| CEI 61-150 | CEI 2-3 |



INSTALLATION AND USE

They are recommended for clean water and liquids that are chemically non aggressive to the materials from which the pump is made.

PLURIJET SELF-PRIMING PUMPS ARE DESIGNED FOR LIFTING WATER, EVEN IN CASES WITH ENTRAINED AIR. THEIR QUIET RUNNING, RELIABILITY AND LOW POWER CONSUMPTION MAKES THEM PARTICULARLY SUITABLE FOR DOMESTIC AND CIVIL USE, INCLUDING PRESSURISATION AND DISTRIBUTION OF WATER, IRRIGATION AND RAINWATER RECOVERY SYSTEMS.

The pumps must be installed in enclosed places, or at least protected against inclement weather.

GUARANTEE 2 YEARS subject to our general terms of sale.

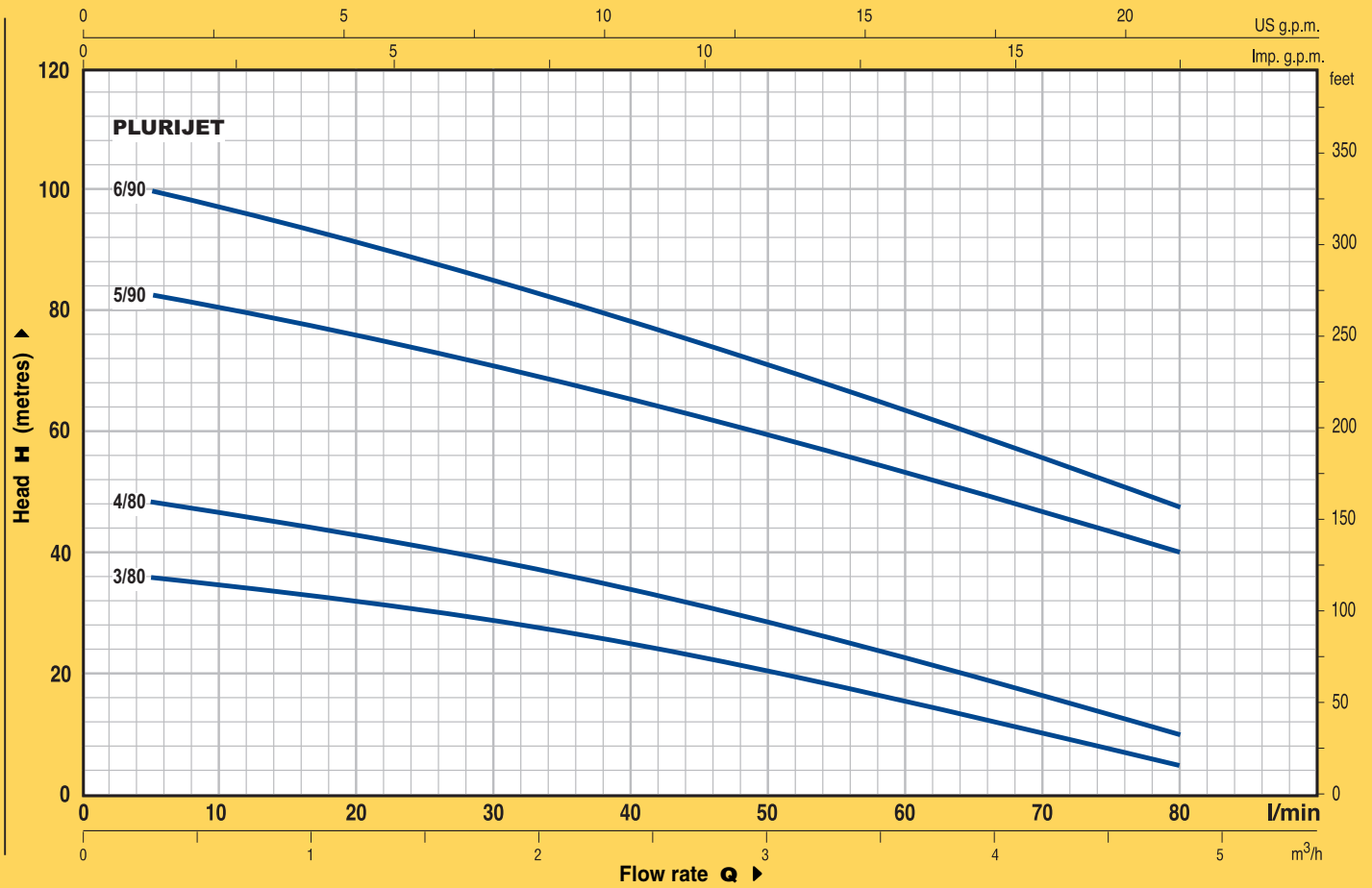
CONSTRUCTION CHARACTERISTICS

- **PUMP BODY:** cast iron and stainless steel AISI 304 (cast iron up to 0.75 kW), with threaded ports ISO 228/1.
- **IMPELLER:** technopolymer (approved for drinking water).
- **MOTOR SHAFT:** stainless steel EN 10088-3 - 1.4104
- **MECHANICAL SEAL:** ceramic - graphite - NBR.
- **ELECTRIC MOTOR:** the pumps are close-coupled to a carefully matched PEDROLLO electric motor, quiet running, totally enclosed fan cooled (TEFC), suitable for continuous duty.
PLURIJETm: single-phase 230 V - 50 Hz with capacitor and thermal overload protector.
PLURIJET: three-phase 230/400 V - 50 Hz.
- **INSULATION:** class F. ● **PROTECTION:** IP 44.
- **REGISTERED MODEL.**

OPTIONS ON REQUEST

- ⇒ version in stainless steel EN 10088-3 - 1.4401 (AISI 316)
- ⇒ other voltages or frequency 60 Hz

CURVES AND PERFORMANCE DATA AT n= 2900 1/min

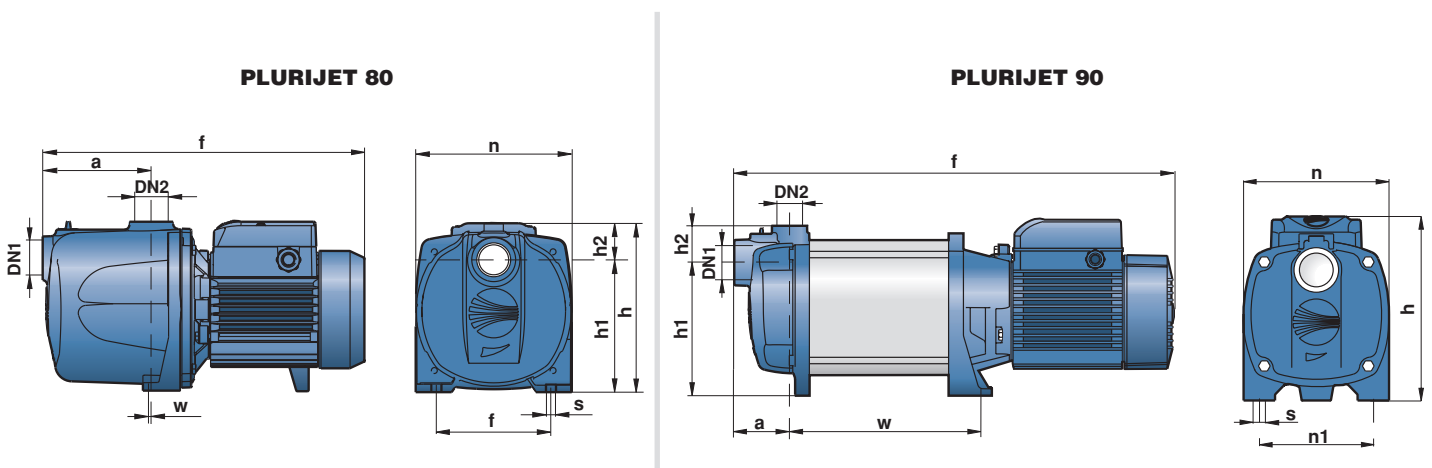


| TYPE | | POWER | | Q | H metres | | | | | | | | | | | |
|----------------|---------------|-------|------|-----|----------|----|------|------|------|------|-----|------|------|-----|-----|--|
| Single-phase | Three-phase | kW | HP | | m³/h | 0 | 0.3 | 0.6 | 1.2 | 1.8 | 2.4 | 3.0 | 3.6 | 4.2 | 4.8 | |
| PLURIJETm 3/80 | PLURIJET 3/80 | 0.45 | 0.60 | 0 | 38 | 36 | 34.5 | 32 | 29 | 25 | 20 | 15.5 | 10.5 | 5 | | |
| PLURIJETm 4/80 | PLURIJET 4/80 | 0.60 | 0.85 | 0.3 | 50 | 48 | 46.5 | 43 | 38.5 | 33.5 | 28 | 22.5 | 16.5 | 10 | | |
| PLURIJETm 5/90 | PLURIJET 5/90 | 1.1 | 1.5 | 0.6 | 83 | 82 | 80 | 76 | 71 | 65 | 59 | 53 | 47 | 40 | | |
| PLURIJETm 6/90 | PLURIJET 6/90 | 1.5 | 2 | 1.2 | 100 | 99 | 96 | 91.5 | 85 | 78 | 71 | 64 | 56 | 48 | | |

Q = Flow rate H = Total manometric head

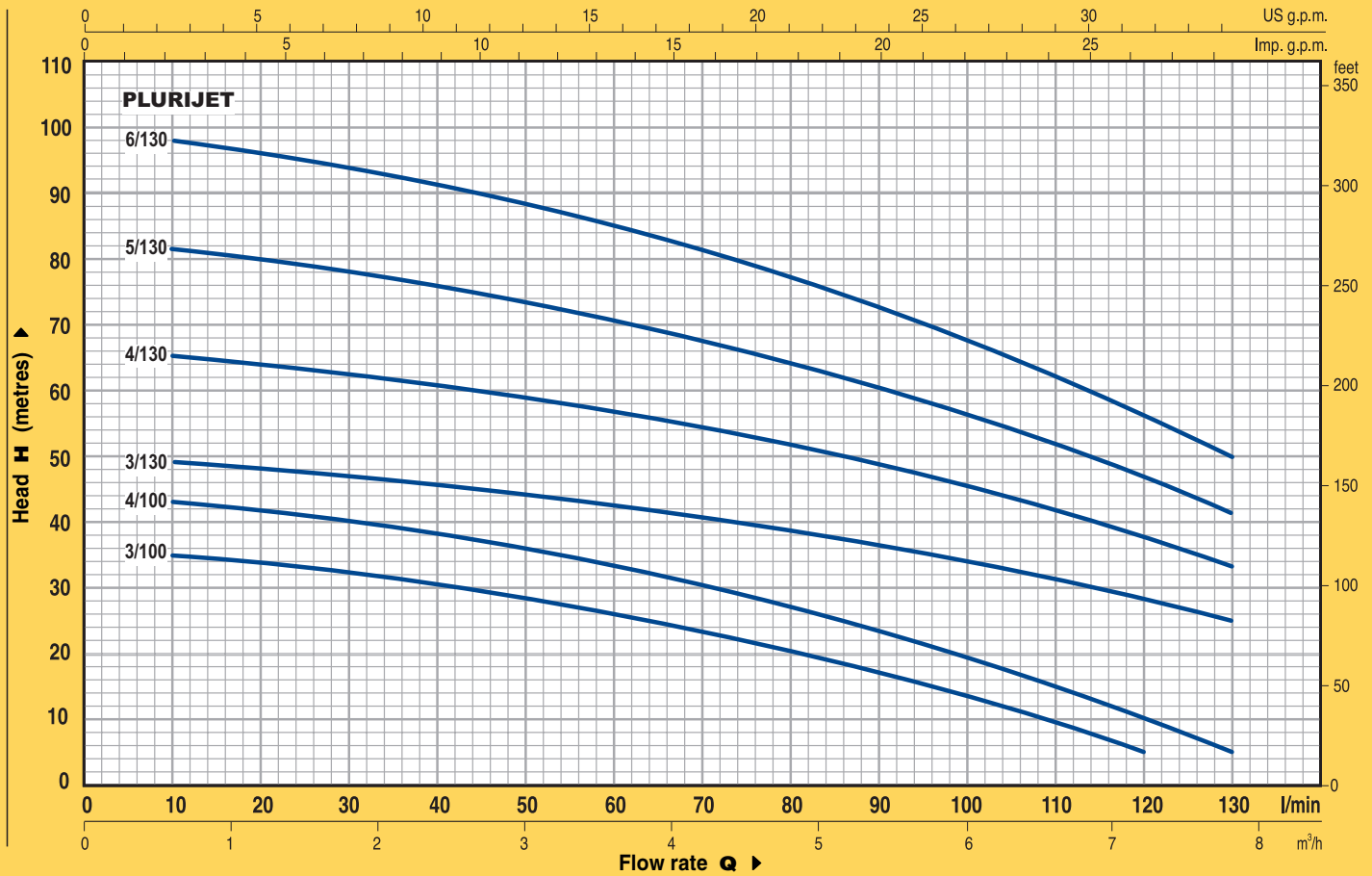
Tolerance of the performance curves according to EN ISO 9906 App. A.

DIMENSIONS AND WEIGHTS



| TYPE | | PORTS | | DIMENSIONS mm | | | | | | | | | kg | |
|----------------|---------------|--------|-----|---------------|---------|-----|-----|----|-----|-----|-----|----|------|------|
| Single-phase | Three-phase | DN1 | DN2 | a | f | h | h1 | h2 | n | n1 | w | s | 1~ | 3~ |
| PLURIJETm 3/80 | PLURIJET 3/80 | 1" | 1" | 110 | 334 | 172 | 134 | 38 | 158 | 116 | 2 | 9 | 9.4 | 8.9 |
| PLURIJETm 4/80 | PLURIJET 4/80 | | | 135 | 367/359 | | | | | | | | 10.8 | 10.2 |
| PLURIJETm 5/90 | PLURIJET 5/90 | 1 1/4" | 1" | 69 | 634 | 230 | 153 | 46 | 185 | 145 | 304 | 10 | 25.5 | 23.5 |
| PLURIJETm 6/90 | PLURIJET 6/90 | | | | 665 | | | | | | | | 335 | 27.5 |

CURVES AND PERFORMANCE DATA AT n= 2900 1/min

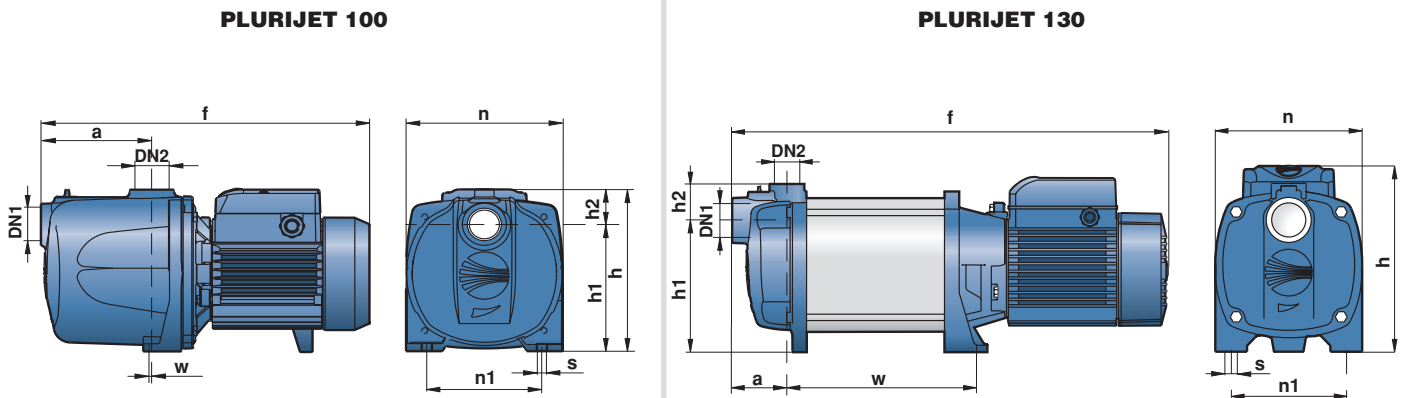


| TYPE | | POWER | | Q | Flow rate | | | | | | | | | | | | |
|-----------------|----------------|-------|------|----------|-----------|------|-----|------|-----|------|------|------|------|------|------|------|-----|
| Single-phase | Three-phase | kW | HP | | m³/h | 0 | 0.3 | 0.6 | 1.2 | 1.8 | 2.4 | 3.0 | 3.6 | 4.2 | 4.8 | 6.0 | 7.2 |
| PLURIJETm 3/100 | PLURIJET 3/100 | 0.60 | 0.85 | l/min | 0 | 5 | 10 | 20 | 30 | 40 | 50 | 60 | 70 | 80 | 100 | 120 | 130 |
| PLURIJETm 4/100 | PLURIJET 4/100 | 0.75 | 1 | H metres | 36 | 35.5 | 35 | 33.5 | 32 | 30 | 28 | 26 | 23 | 20 | 13.5 | 5 | |
| PLURIJETm 3/130 | PLURIJET 3/130 | 1.1 | 1.5 | | 46 | 45 | 43 | 42 | 40 | 38 | 35.5 | 33 | 30 | 26.5 | 19 | 10 | 5 |
| PLURIJETm 4/130 | PLURIJET 4/130 | 1.5 | 2 | | 50 | 49.5 | 49 | 48 | 47 | 45.5 | 44 | 42.5 | 40.5 | 38.5 | 34 | 28 | 25 |
| PLURIJETm 5/130 | PLURIJET 5/130 | 1.8 | 2.5 | | 66 | 66 | 65 | 64 | 62 | 60.5 | 58.5 | 56.5 | 54 | 51 | 45 | 37 | 33 |
| — | — | — | — | | 83 | 82.5 | 81 | 80 | 78 | 75.5 | 73 | 70.5 | 67.5 | 64 | 56.5 | 46.5 | 41 |
| — | PLURIJET 6/130 | 2.2 | 3 | | 100 | 99 | 98 | 96 | 94 | 91 | 88 | 85 | 81 | 77 | 68 | 56 | 50 |

Q = Flow rate H = Total manometric head

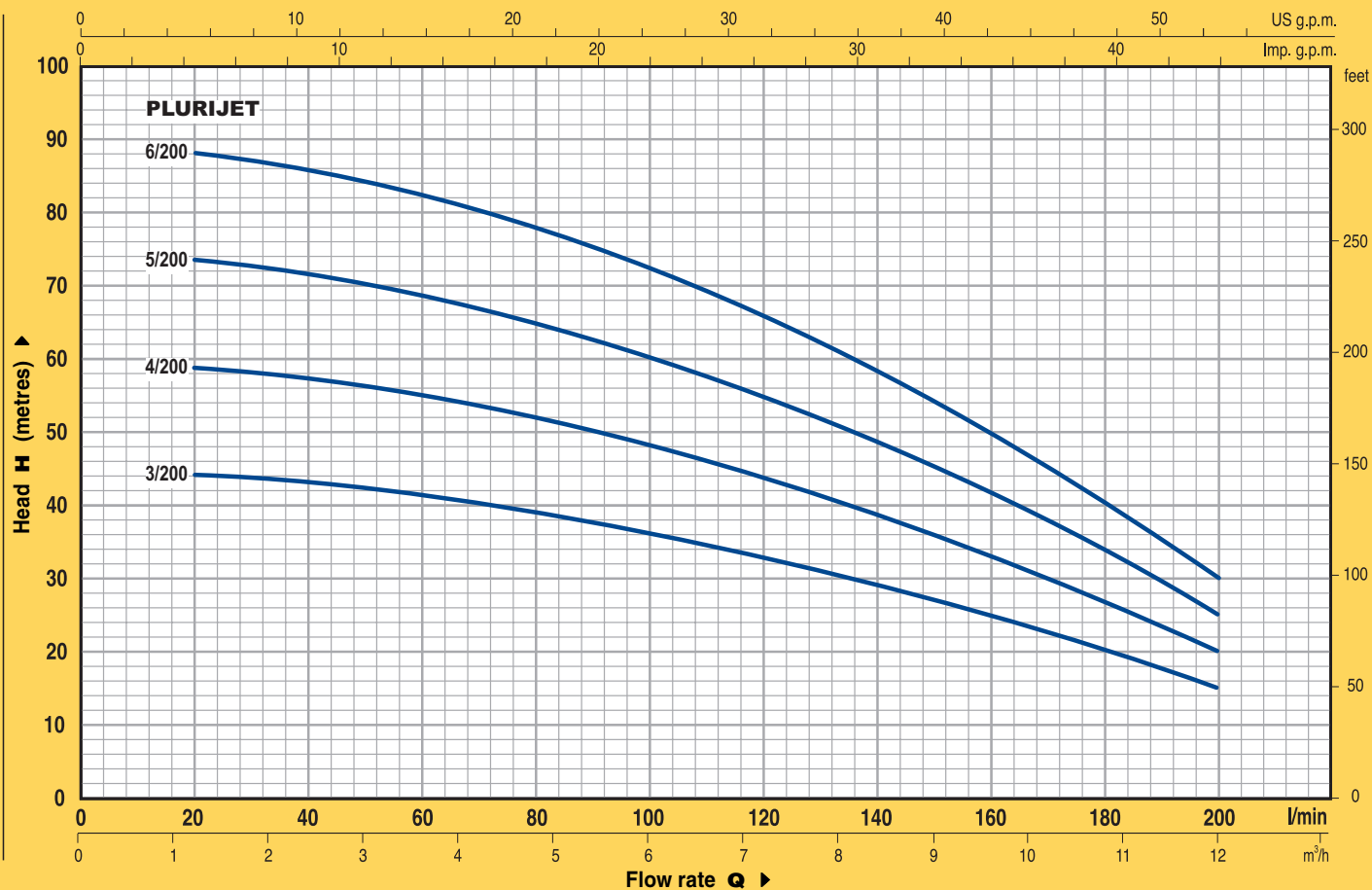
Tolerance of the performance curves according to EN ISO 9906 App. A.

DIMENSIONS AND WEIGHTS



| TYPE | | PORTS | | DIMENSIONS mm | | | | | | | | | kg | |
|-----------------|----------------|--------|-----|---------------|---------|-----|-----|----|-----|-----|-----|----|------|------|
| Single-phase | Three-phase | DN1 | DN2 | a | f | h | h1 | h2 | n | n1 | w | s | 1~ | 3~ |
| PLURIJETm 3/100 | PLURIJET 3/100 | 1" | 1" | 110 | 342/334 | 172 | 134 | 38 | 158 | 116 | 2 | 9 | 10.2 | 9.4 |
| PLURIJETm 4/100 | PLURIJET 4/100 | | | 135 | 378 | 191 | | 61 | | | | | 13.4 | 12.3 |
| PLURIJETm 3/130 | PLURIJET 3/130 | 1 1/4" | 1" | 69 | 571 | 230 | 153 | 46 | 185 | 145 | 241 | 10 | 23.5 | 21.6 |
| PLURIJETm 4/130 | PLURIJET 4/130 | | | | 602 | | | | | | 272 | | 25.9 | 25.0 |
| PLURIJETm 5/130 | PLURIJET 5/130 | | | | 634 | | | | | | 304 | | 27.5 | 27.0 |
| — | PLURIJET 6/130 | | | | 665 | | | | | | 335 | | - | 29.0 |

CURVES AND PERFORMANCE DATA AT n= 2900 1/min

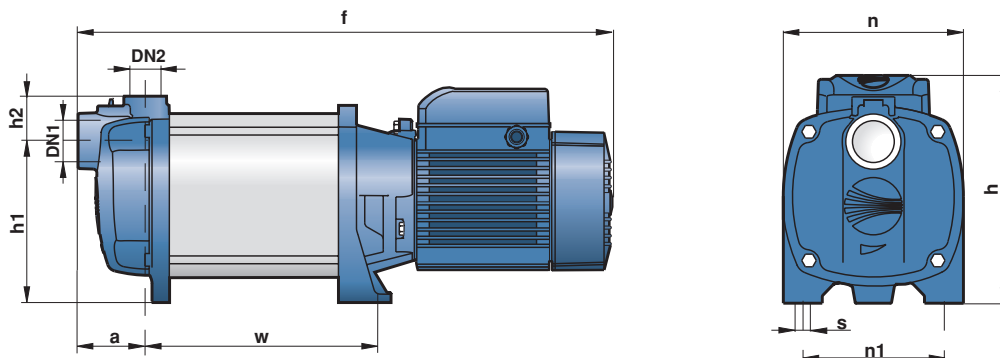


| TYPE | | POWER | | Q | Flow rate | | | | | | | | | | | | | |
|-----------------|----------------|-------|-----|----------|-----------|----|------|-----|------|-----|-----|------|------|------|------|------|------|--|
| Single-phase | Three-phase | kW | HP | | m³/h | 0 | 1.2 | 2.4 | 3.0 | 3.6 | 4.8 | 6.0 | 7.2 | 8.4 | 9.6 | 10.8 | 12.0 | |
| PLURIJETm 3/200 | PLURIJET 3/200 | 1.1 | 1.5 | H metres | 0 | 20 | 40 | 50 | 60 | 80 | 100 | 120 | 140 | 160 | 180 | 200 | | |
| PLURIJETm 4/200 | PLURIJET 4/200 | 1.5 | 2 | | 45 | 44 | 43 | 42 | 41 | 39 | 36 | 32.5 | 29 | 25 | 20 | 15 | | |
| PLURIJETm 5/200 | PLURIJET 5/200 | 1.8 | 2.5 | | 60 | 58 | 57 | 56 | 54.5 | 52 | 48 | 43 | 38.5 | 33 | 26.5 | 20 | | |
| — | PLURIJET 6/200 | 2.2 | 3 | | 75 | 73 | 71.5 | 70 | 68 | 65 | 60 | 54 | 48 | 41.5 | 33 | 25 | | |
| | | | | | 90 | 88 | 86 | 84 | 82 | 78 | 72 | 65 | 58 | 50 | 40 | 30 | | |

Q = Flow rate H = Total manometric head

Tolerance of the performance curves according to EN ISO 9906 App. A.

DIMENSIONS AND WEIGHTS



| TYPE | | PORTS | | DIMENSIONS mm | | | | | | | | | | kg | |
|-----------------|----------------|--------|-----|---------------|-----|-----|-----|----|-----|-----|-----|----|------|------|--|
| Single-phase | Three-phase | DN1 | DN2 | a | f | h | h1 | h2 | n | n1 | w | s | 1~ | 3~ | |
| PLURIJETm 3/200 | PLURIJET 3/200 | 1 1/4" | 1" | 69 | 571 | 230 | 153 | 46 | 185 | 145 | 241 | 10 | 23.5 | 21.6 | |
| PLURIJETm 4/200 | PLURIJET 4/200 | | | | 602 | | | | | | 272 | | 25.9 | 25.0 | |
| PLURIJETm 5/200 | PLURIJET 5/200 | | | | 634 | | | | | | 304 | | 27.5 | 27.0 | |
| — | PLURIJET 6/200 | | | | 665 | | | | | | 335 | | - | 29.0 | |