

# 3-4CP

## multi-stage centrifugal pumps

**Particularly quiet running with high efficiency and low power consumption. Suitable for domestic applications.**



### RANGE OF PERFORMANCE

Flow rate up to 130 l/min (7.8 m<sup>3</sup>/h)  
Head up to 50 m

### LIMITS OF USE

Manometric suction lift up to 7 m  
Liquid temperature up to + 40°C  
Environment temperature up to + 40°C

### CONSTRUCTION AND SAFETY STANDARDS

EN 60 335-1	EN 60034-1
IEC 335-1	IEC 34-1
CEI 61-150	CEI 2-3



### INSTALLATION AND USE

They are recommended for pumping clean water and liquids that are chemically non aggressive to the materials from which the pump is made. **DUE TO THEIR RELIABILITY, QUIET RUNNING AND LOW MAINTENANCE, THEY ARE SUITABLE FOR DOMESTIC APPLICATIONS INCLUDING WATER SUPPLIES (AS A PRESSURE SET), GARDEN IRRIGATION, ETC.**

The pumps must be installed in enclosed places, or at least protected against inclement weather.

**GUARANTEE 2 YEARS** subject to our general terms of sale.

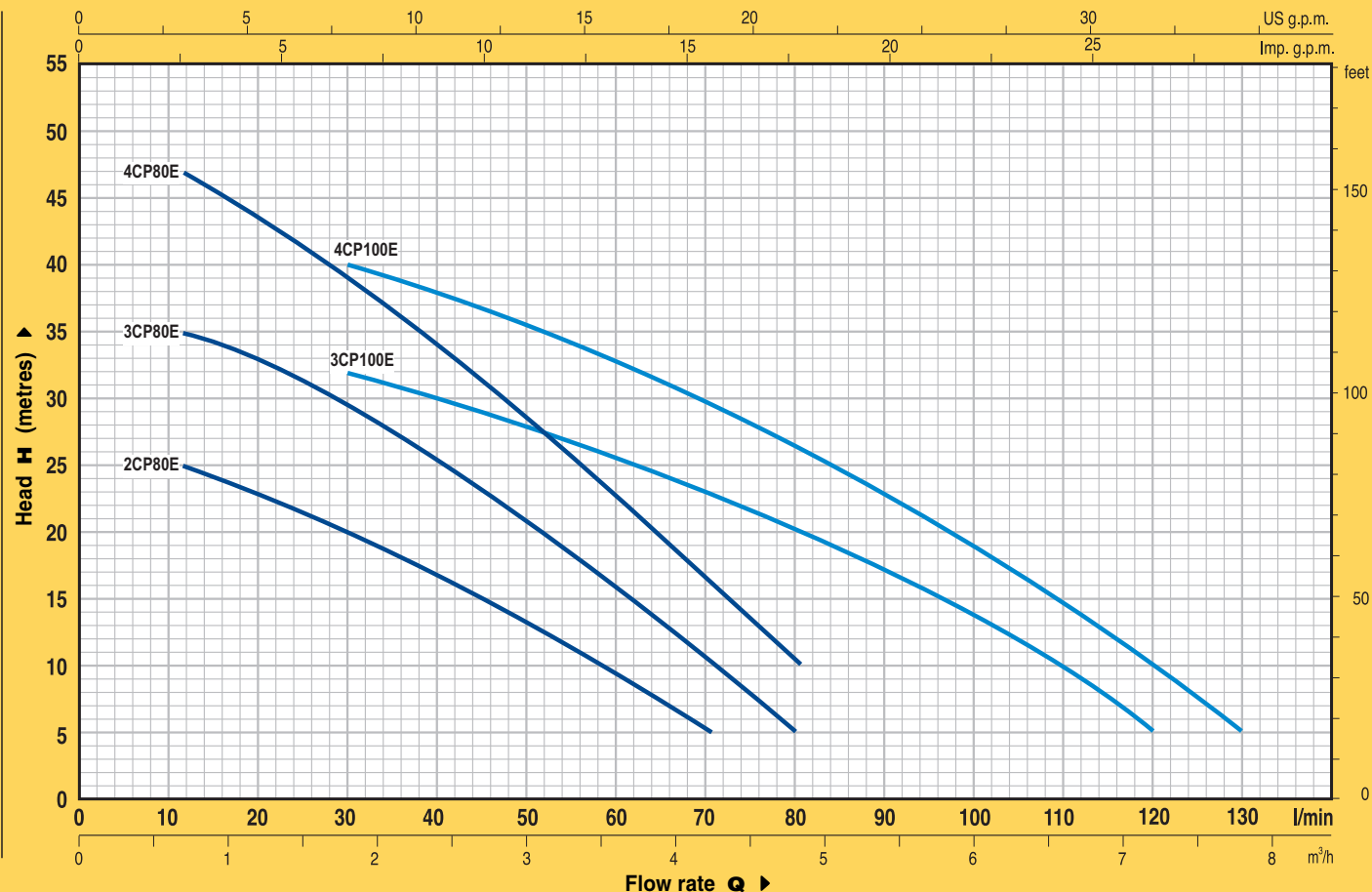
### CONSTRUCTION CHARACTERISTICS

- **PUMP BODY:** cast iron, with threaded ports ISO 228/1.
- **BODY BACK-PLATE:** stainless steel AISI 304.
- **IMPELLERS:** of the type with centrifugal radial flow, made of technopolymer (approved for drinking water).
- **MOTOR SHAFT:** stainless steel EN 10088-3 - 1.4104
- **MECHANICAL SEAL:** ceramic - graphite - NBR.
- **ELECTRIC MOTOR:** the pumps are close-coupled to a carefully matched PEDROLLO electric motor, quiet running, totally enclosed fan cooled (TEFC), suitable for continuous duty..  
2-3-4CPm: single-phase 230 V - 50 Hz with capacitor and thermal overload protector.  
2-3-4CP: three-phase 230/400 V - 50 Hz.
- **INSULATION:** class F. ● **PROTECTION:** IP 44.
- **REGISTERED MODEL**

### OPTIONS ON REQUEST

⇒ other voltages or frequency 60 Hz

**CURVES AND PERFORMANCE DATA AT n= 2900 1/min**

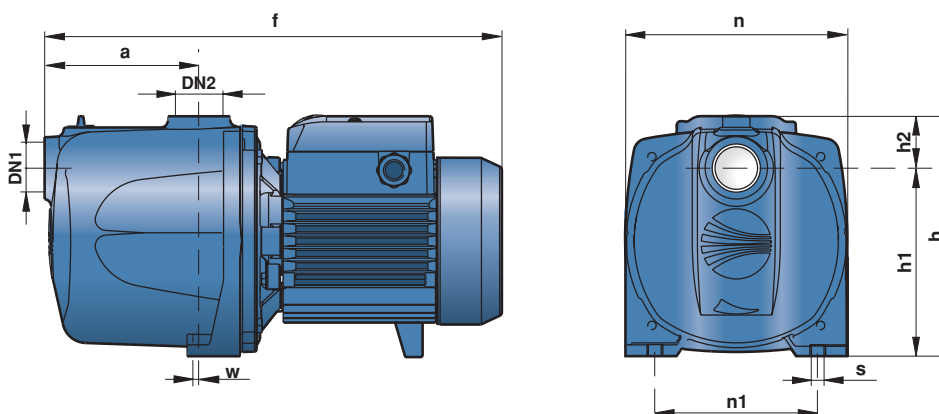


TYPE		POWER		Q	m³/h																
Single-phase	Three-phase	kW	HP		0	0.3	0.6	0.9	1.2	1.5	1.8	2.4	3.0	3.6	4.2	4.8	5.4	6.0	6.6	7.2	7.8
2CPm 80E	2CP 80E	0.37	0.50	0	5	10	15	20	25	30	40	50	60	70	80	90	100	110	120	130	
3CPm 80E	3CP 80E	0.45	0.60	27	26	25	24	22.5	21	20	16.5	13	9	5							
4CPm 80E	4CP 80E	0.60	0.85	38	36	35	34	33.5	31	29	25	20	15.5	10	5						
3CPm 100E	3CP 100E	0.60	0.85	50	48	47	45	43	40.5	38.5	33.5	28	22.5	16	10						
4CPm 100E	4CP 100E	0.75	1	36	35.5	35	34	33.5	32.5	32	30	28	26	23	20	17	13.5	10	5		
				46	45	44	43	42	41	40	38	35.5	33	30	26.5	22.5	19	15	10	5	

Q = Flow rate H = Total manometric head

Tolerance of the performance curves according to EN ISO 9906 App. A.

**DIMENSIONS AND WEIGHTS**



TYPE		PORTS		DIMENSIONS mm										kg	
Single-phase	Three-phase	DN1	DN2	a	f	h	h1	h2	n	n1	w	s	1~	3~	
2CPm 80E	2CP 80E	1"	1"	110	334	172	134	38	158	116	2	9	8.6	8.6	
3CPm 80E	3CP 80E			135	367/359								9.4	8.9	
4CPm 80E	4CP 80E			110	342/334								10.8	10.2	
3CPm 100E	3CP 100E			135	378	191	61	10.2	9.4						
4CPm 100E	4CP 100E							13.4	12.3						