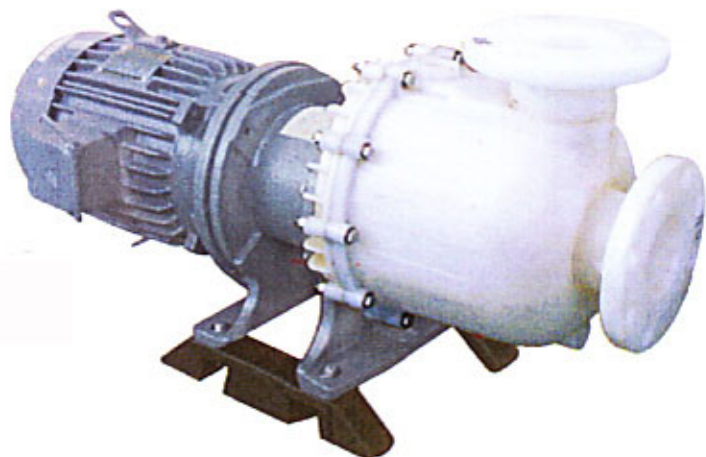




■ **KJF -TYPE:PVDF**



KJ/KJF SERIES

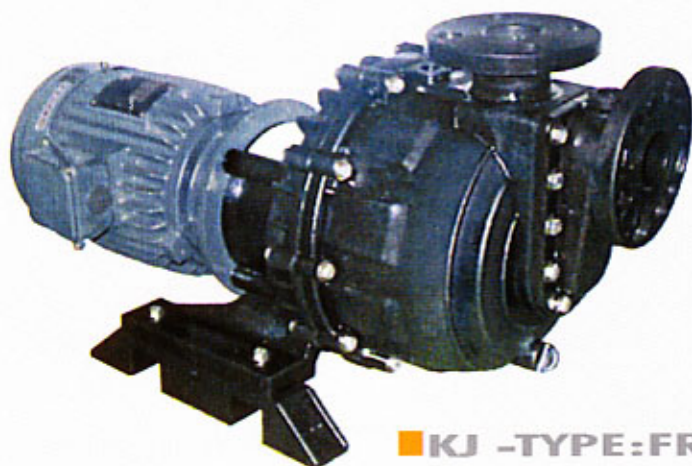
Close coupled self-priming
chemical pump

Characteristics:

- *Special design for shaft seal, use the latest Teflon Bellow seal with inner self-cooling design, without use the circulated cooling pipe.*
- *Excellent capability to self-priming. Extremely powerful self-priming force. Built with a check valve fully prevents liquid back-flow in pump.*

Close coupled self-priming
chemical pump

- *FRPP and PVDF materials provide good corrosion-resistance to strong acid and alkali.*
- *Special design for strengthening construction*

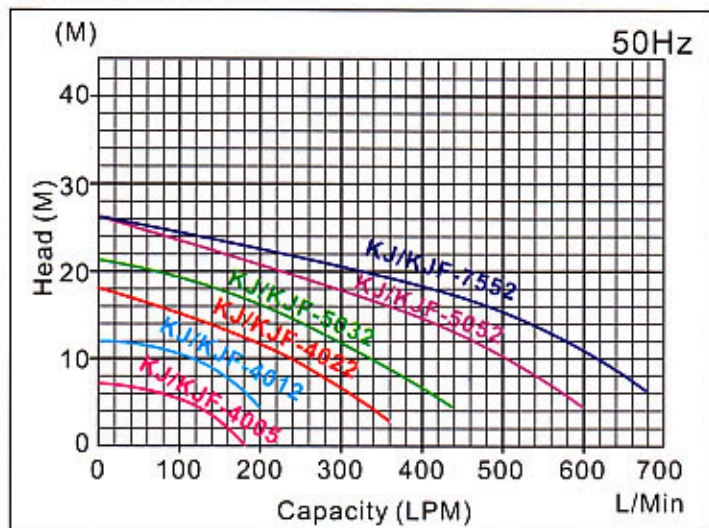


■ **KJ -TYPE:FRPP**

KJ/KJF SERIES

Close coupled self-priming chemical pump

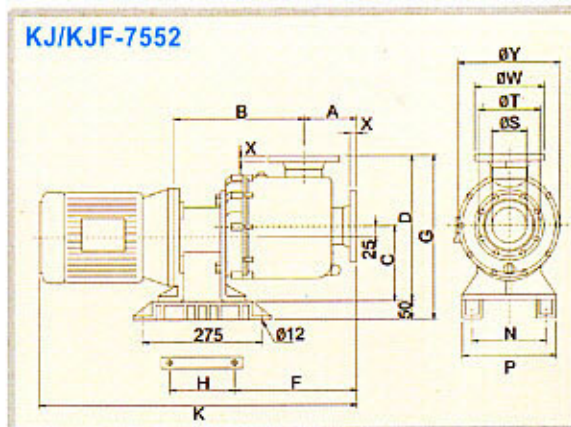
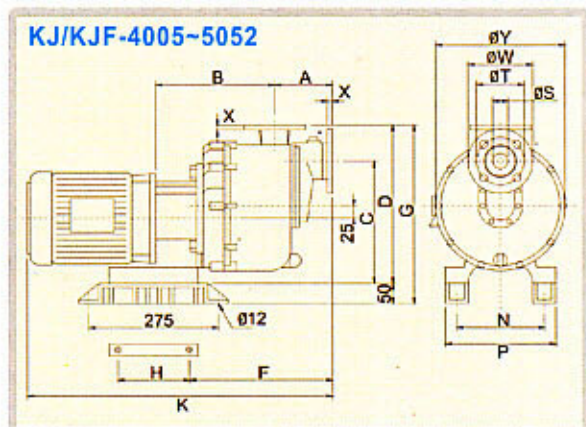
Performance Curve



Specifications

Model	Inlet*Outlet diameter (m/m)	Power(50Hz)			(M)	L/Min	Weight(KG)
		Phase	Pole	HP			
KJ/KJF-4005	40X40	3 ϕ	4	1/2	7	180	21
KJ/KJF-4012	40X40	3 ϕ	4	1	12	200	26
KJ/KJF-4022	40X40	3 ϕ	4	2	18	360	34
KJ/KJF-5032	50X50	3 ϕ	4	3	21	440	42
KJ/KJF-5052	50X50	3 ϕ	4	5	26	600	69
KJ/KJF-7552	75X75	3 ϕ	4	5	26	680	71

Dimension drawing



Dimension (m/m)

Model	A	B	C	D	F	G	H	K	N	P	S	T	W	X	Y
KJ/KJF-4005	130	255	245	325	325	375	140	625	210	265	40	102	140	16	293
KJ/KJF-4012	130	265	254	325	325	375	140	635	210	265	40	102	140	16	293
KJ/KJF-4022	130	265	254	325	325	375	140	715	210	265	40	102	140	16	293
KJ/KJF-5032	130	265	254	325	325	375	140	715	210	265	50	118	154	17	293
KJ/KJF-5052	130	290	290	365	265	415	155	790	215	265	50	118	154	17	293
KJ/KJF-7552	118	345	193	375	310	425	155	840	215	265	75	145	185	18	293

PT. LUKES INDONESIA

Lindeteves Trade Center Lt UG, Blok B1 No. 6
 Jalan Hayam Wuruk, Jakarta - Indonesia
 Phone : 021 - 6231 7842, 628 5144
 Fax : 021 - 6231 0499
 email : sales@lukesindeonesia.com

